



GIGABIT Lan Magnetics

You can rest assured to buy GIGABIT Lan Magnetics from Jansum Electronics factory and we will offer you the best after-sale service and timely delivery. G24P02S is a ultra-low design for PCMCIA application. Welcome to buy product from JASN.

Model:G24P02S

JASN is a professional China GIGABIT Lan Magnetics manufacturer and supplier, if you are looking for the best GIGABIT Lan Magnetics with low price, consult us now!

Feature

Compliant with IEEE 802.3ab standard.

Comply with RoHS requirements.

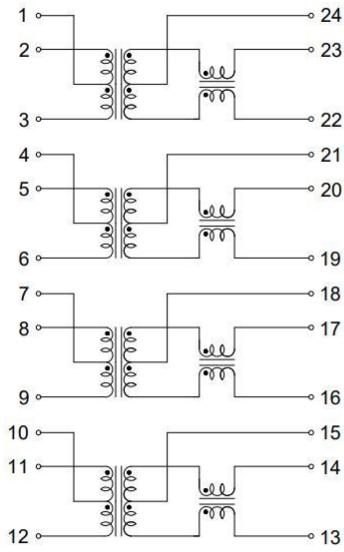
Operating temperature range: 0°C to +70°C.

Storage temperature range: -25°C to +125°C.

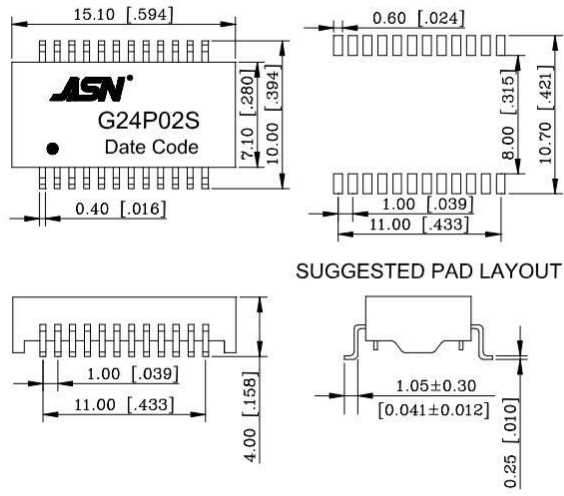
Electrical Specifications @ 25°C

OCL:	350uH Min. @100KHz/0.1V with 8mA DC Bias				
Hi-POT :	1500Vrms				
Turn Ratio:	1:1±3%				
LK:	0.4uH Max @100KHz/0.2V				
Cw/w	30PF Max @100KHz/0.2V				
D.C.R:	1.2 ohm Max				
Insertion Loss:	1-100MHz: -1.0dB Max				
Cross Talk :	30MHz:	60MHz	100MHz		
	-45dB Min	-40dB Min	-35dB Min		
Return Loss:	1-30MHz	40MHz	50MHz	60-80MHZ	80-100MHZ
	-18dB Min	-14.4dB Min	-13.1dB Min	-12dB Min	-10dB Min

Schematic



Mechanical



Unless otherwise specified, all tolerances are ±0.25